

# SONANCE

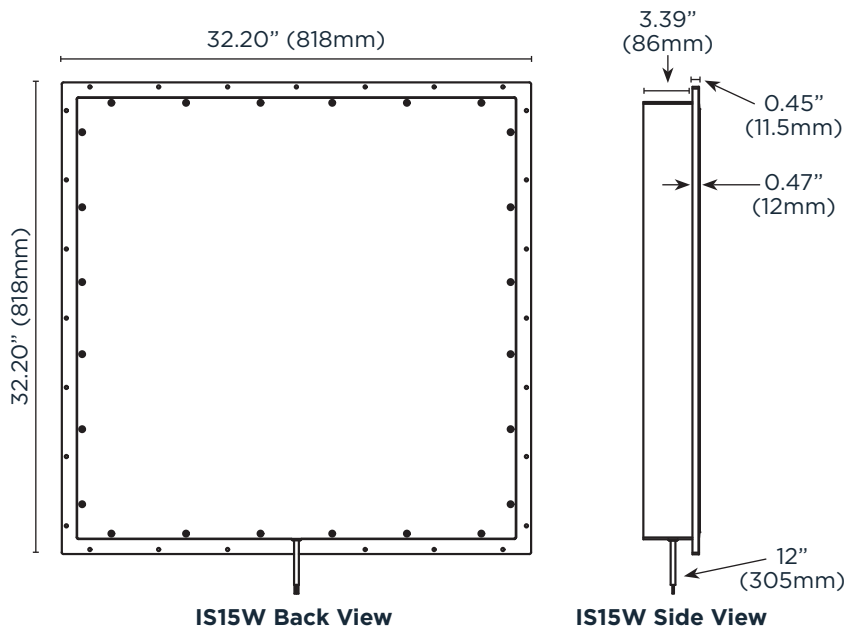
## INVISIBLE SERIES DATA SHEET

### IS15W SUBWOOFER

#### TECHNICAL SPECIFICATIONS

SKU	93482
UOM	Each
Air Flex Woofer	592in <sup>2</sup> (3819cm <sup>2</sup> ) air pulse diaphragm, 15in (381mm) carbon fiber woofer
Frequency Response	30Hz-250Hz (+/- 3dB)
Nominal Impedance	6 Ohms
Power Handling (RMS)	250W
Sensitivity (2.83V/1m)	93dB
Dispersion	180° hemispherical
Product Dimensions (WxHxD)	32.20" x 32.20" x 3.86" (818mm x 818mm x 98mm)
Mounting Depth	3.39" (86mm)

#### DIMENSIONAL DRAWINGS



#### OPTIONAL ACCESSORIES

Preconstruction Zip Ring Bracket	93487
Space Saver	93495
DG-1 DISC System Depth Gauge	93491

#### ASSOCIATED PRODUCTS

##### INVISIBLE SERIES SPEAKERS

IS10 Speaker	93480
IS8 Speaker	93479
IS6 Speaker	93478

##### INVISIBLE SERIES WOOFER

IS10W Woofer	93481
--------------	-------

##### INVISIBLE SERIES COMMERCIAL SPEAKER

IS8T Speaker	40197
--------------	-------

#### LIMITED FIFTEEN (15) YEAR WARRANTY

Sonance warrants to the first end-user purchaser that this Sonance-brand product ("Product"), when purchased from an authorized Sonance Dealer/Distributor, will be free from defective workmanship and materials for the period stated above. Sonance will at its option and expense during the warranty period, either repair the defect or replace the Product with a new or remanufactured Product or a reasonable equivalent. For more details please refer to the product manual.

©2020 Sonance. All rights reserved. Sonance is a registered trademarks of Dana Innovations. Due to continuous product improvement, all features and specifications are subject to change without notice. For the latest Sonance product specification information visit our website at [www.sonance.com](http://www.sonance.com).