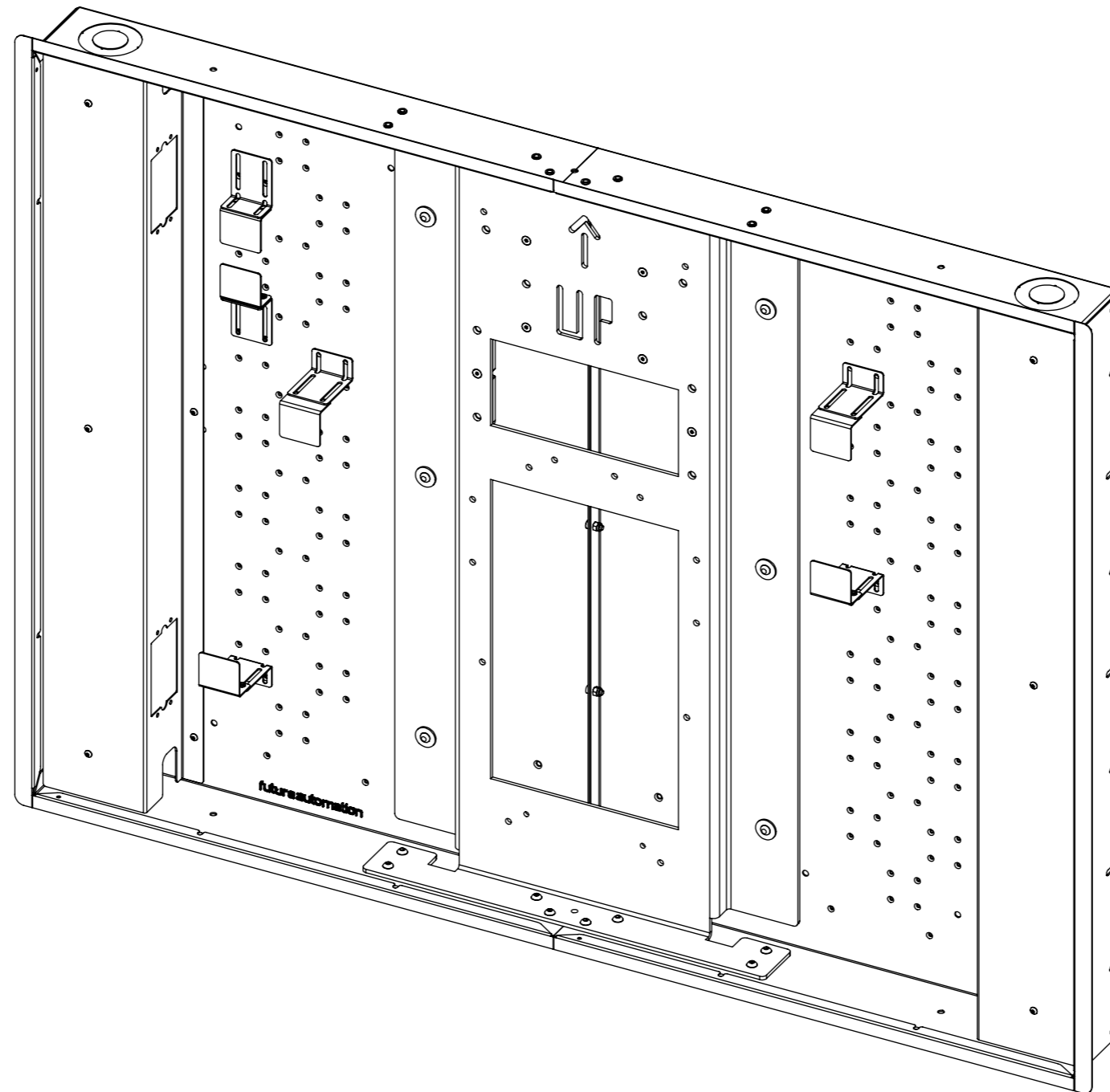


WB80

WALL BOX FOR PS80



future automation



WB80

WALL BOX FOR PS80



future automation

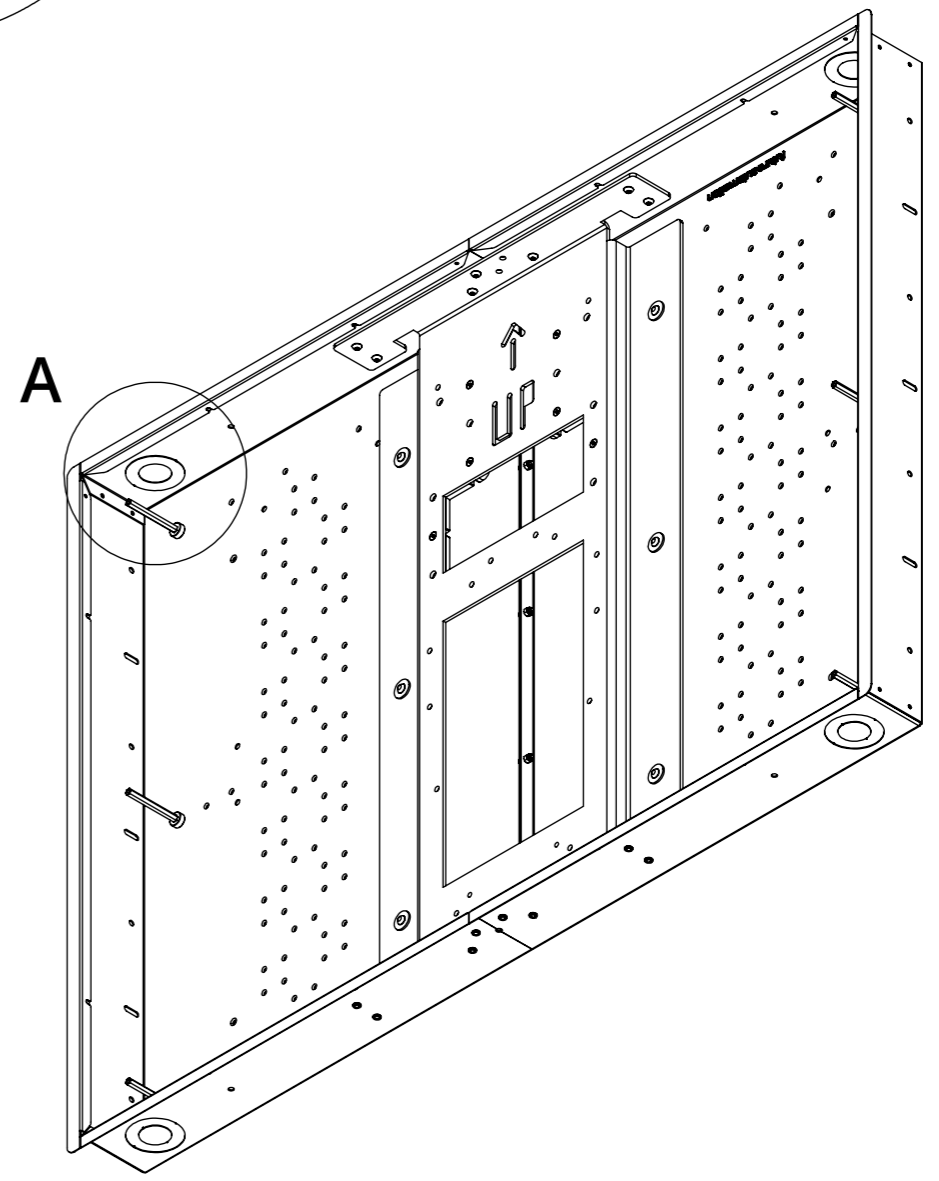
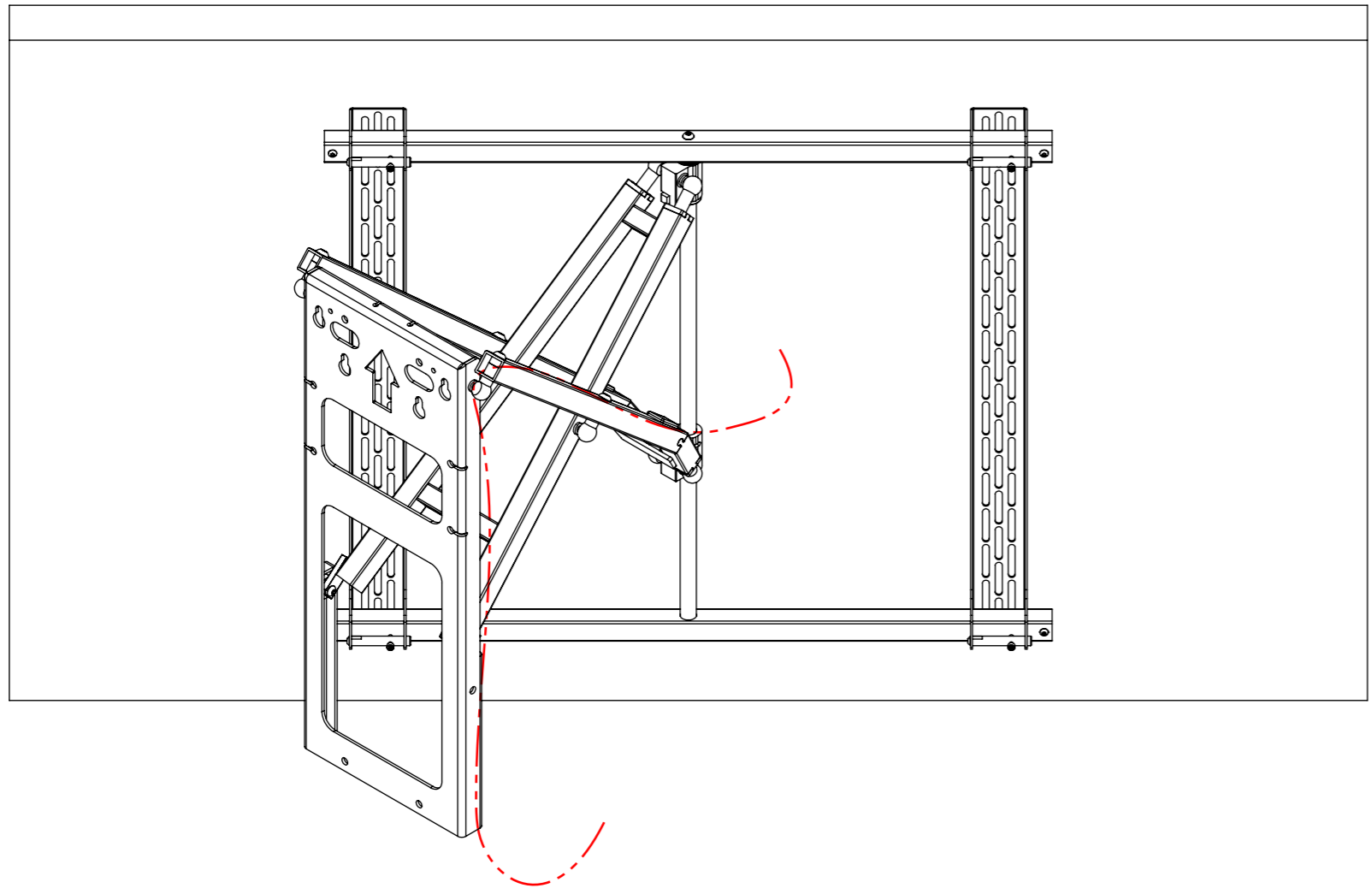
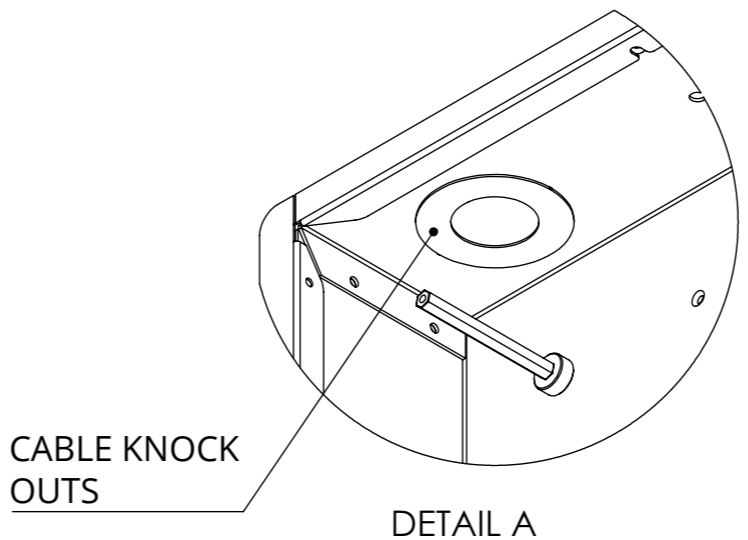
SPECIFICATION	MEASUREMENTS
Product Dimensions (IN WALL)	1169mm (46.0") x 863mm (34.0") x 97mm (3 13/16")
Screen Size	60" - 90"
PS Bracket Compatibility	PS80 (NOT INCLUDED)
Maximum Weight Capacity	120Kg (265lb)
Packaging Dimensions	1005mm (39 1/2") x 762mm (30") x 267mm (10 1/2")
Shipping Weight	38Kg (84lb)
Product Options / Features	Custom RAL paint finishes
Package Contents	Wall box, 3 x Pairs of clamp brackets, 4 x Horizontal trim strips, 2 x Vertical trim strips
Marine Suitable	No

WB80

WALL BOX FOR PS80

CABLE ROUTING

Run the cables up to either top corner of the wall bracket, loop over and run down the outside of the scissor leg as shown with the red line. Secure the cables using cable ties and make sure to allow slack at moving points. Knock out the relevant cable knock outs to pass the cable through the wall box into the wall cavity.



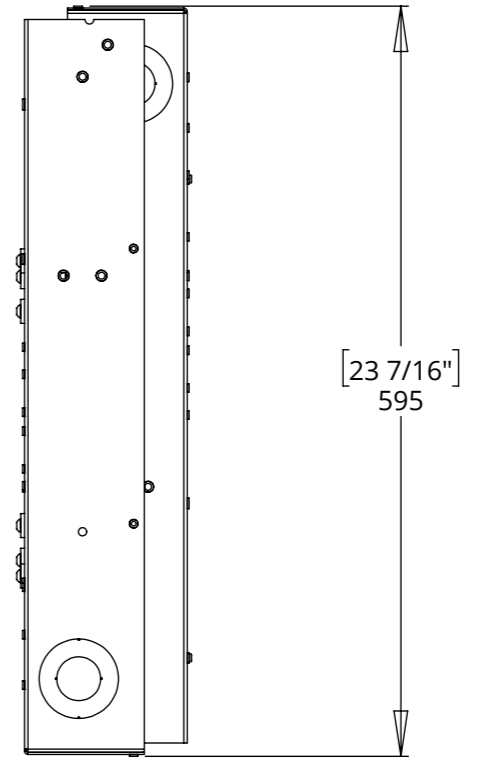
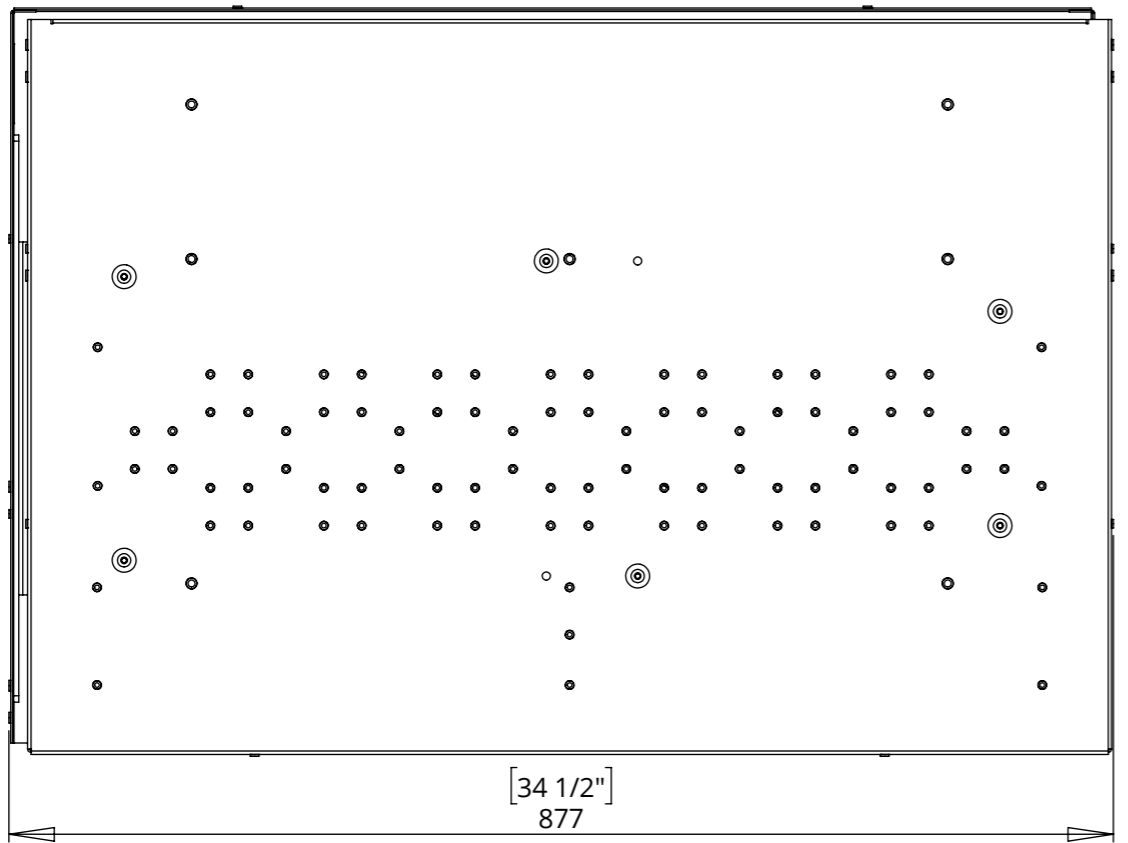
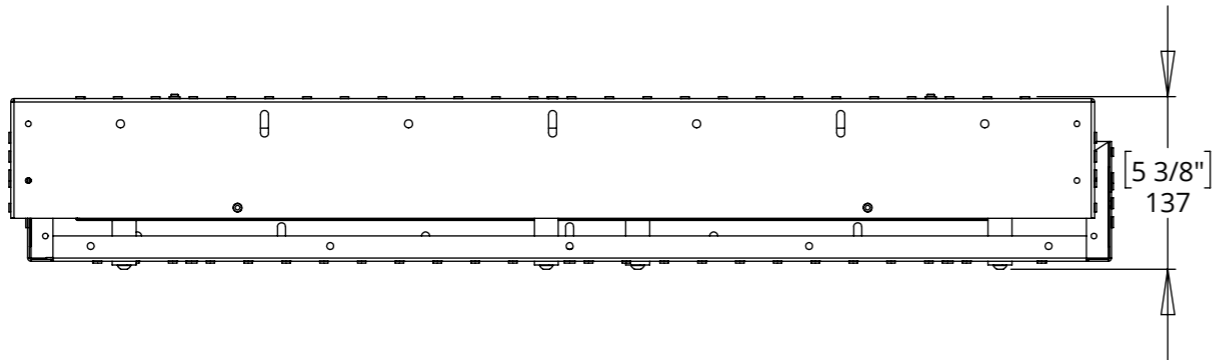
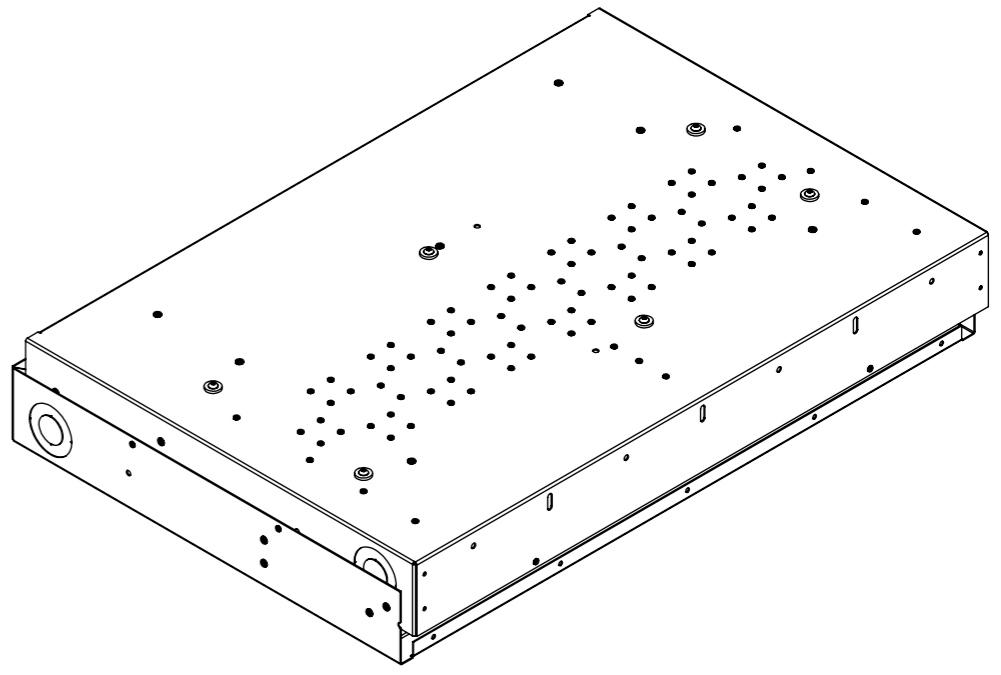
WB80

WALL BOX FOR PS80

WALLBOX ARRIVAL DIMENSIONS

To minimise shipping dimensions, the wall box will require assembly upon arrival.

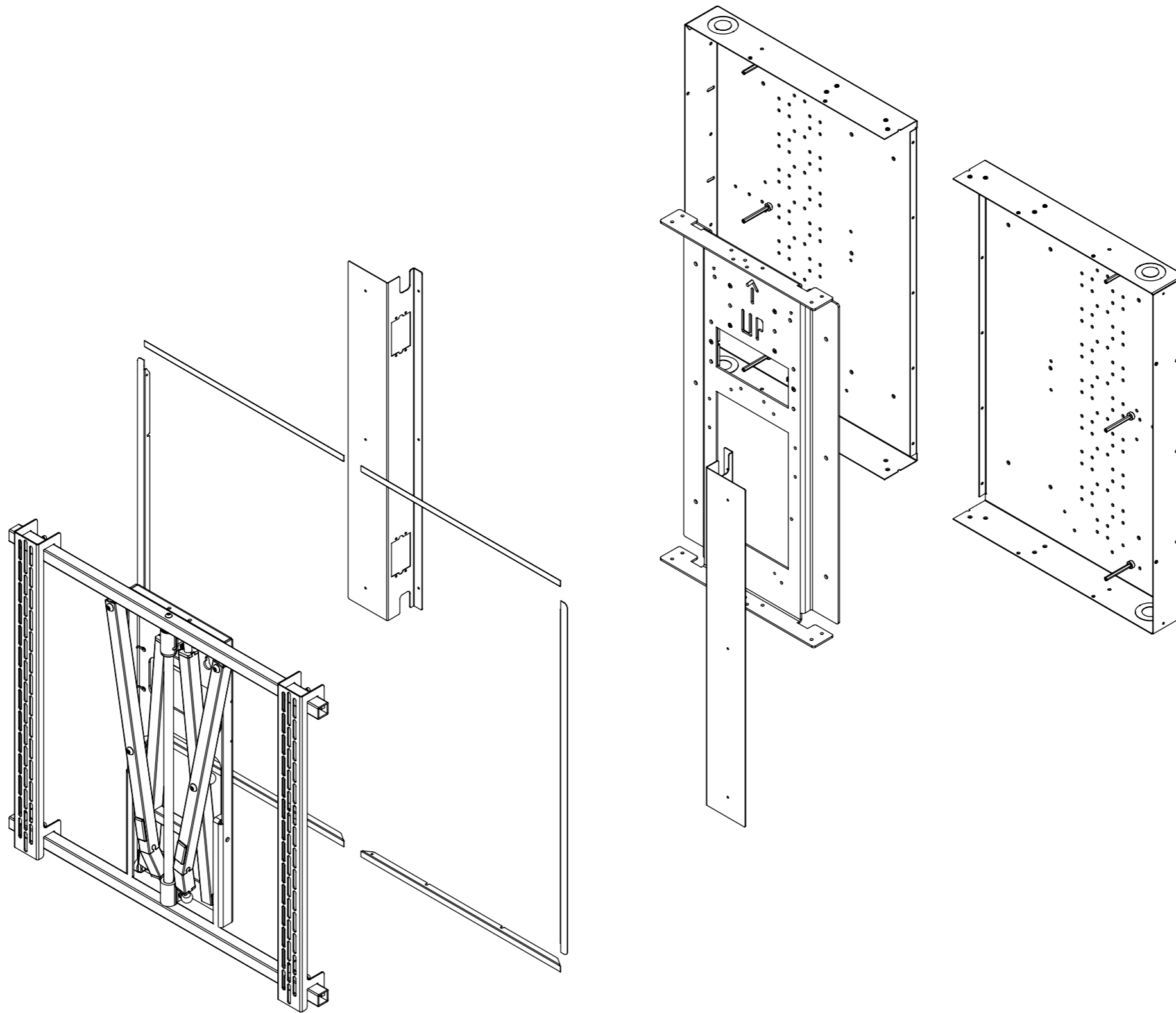
For information on Wall Box Assembly and Installation please refer to the instruction documentation.



WB80

WALL BOX FOR PS80

EXPLODED VIEW



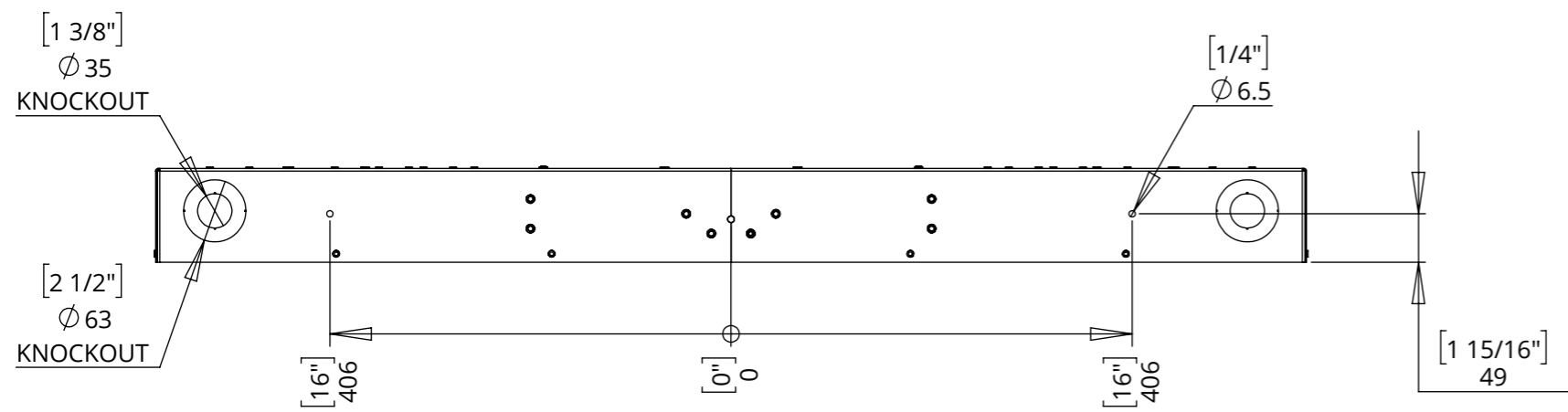
WB80

WALL BOX FOR PS80

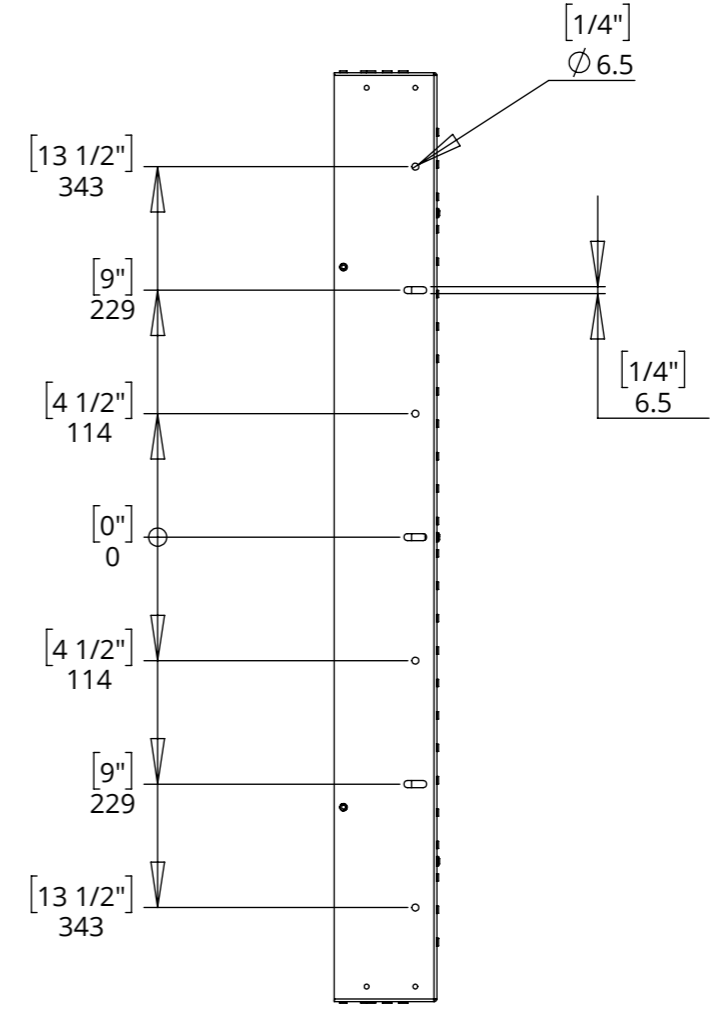
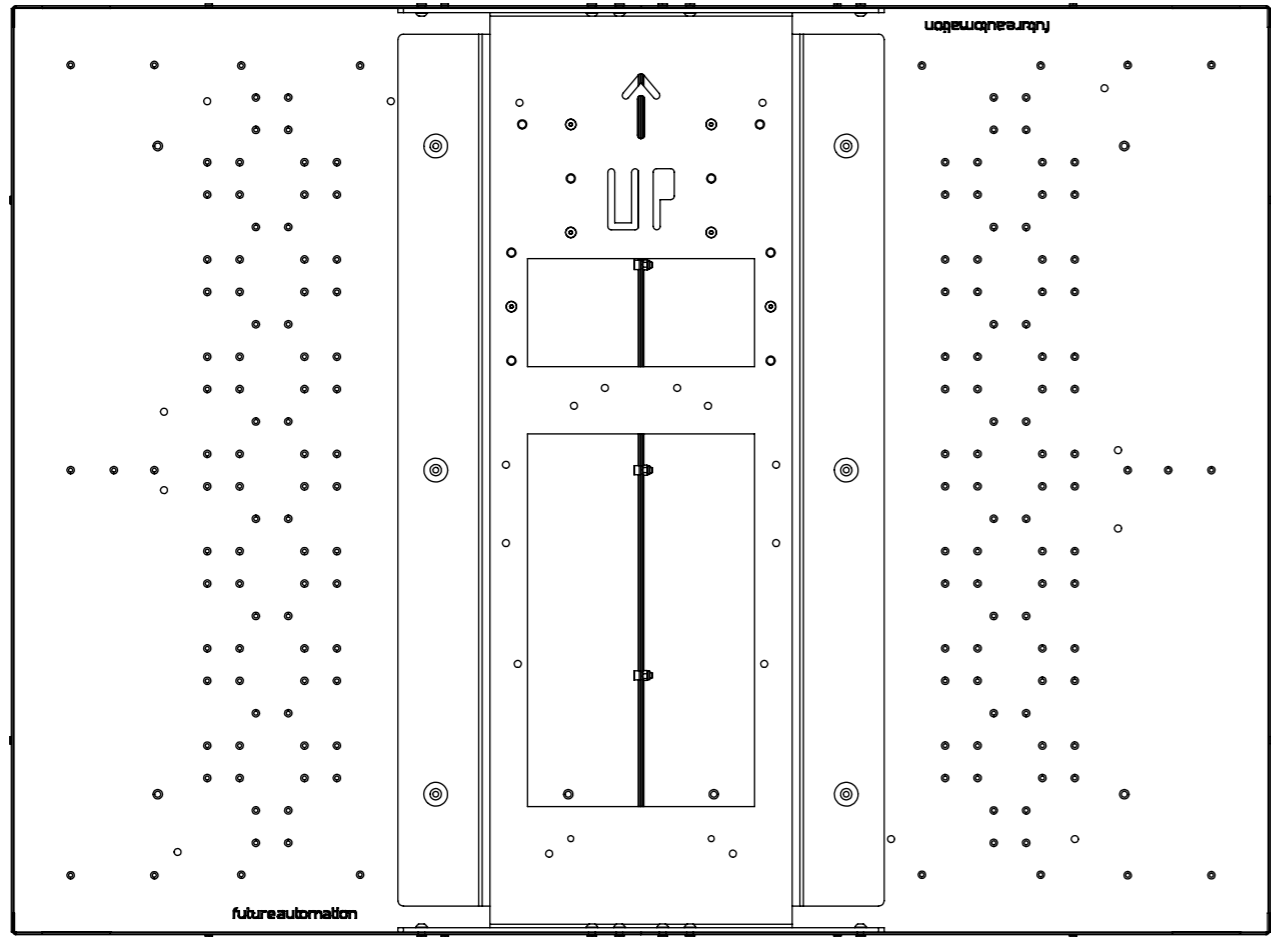
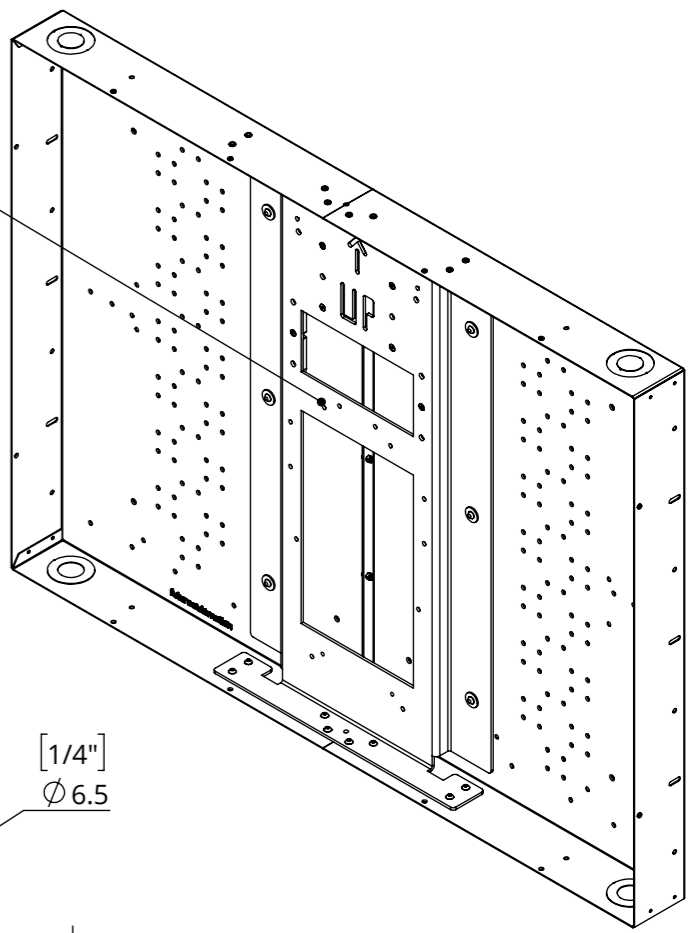
WALLBOX MOUNTING DIMENSIONS



future automation



FOR EASE OF INSTALLATION,
MOUNT THE WALL BOX BEFORE
FIXING THE PS80 IN PLACE



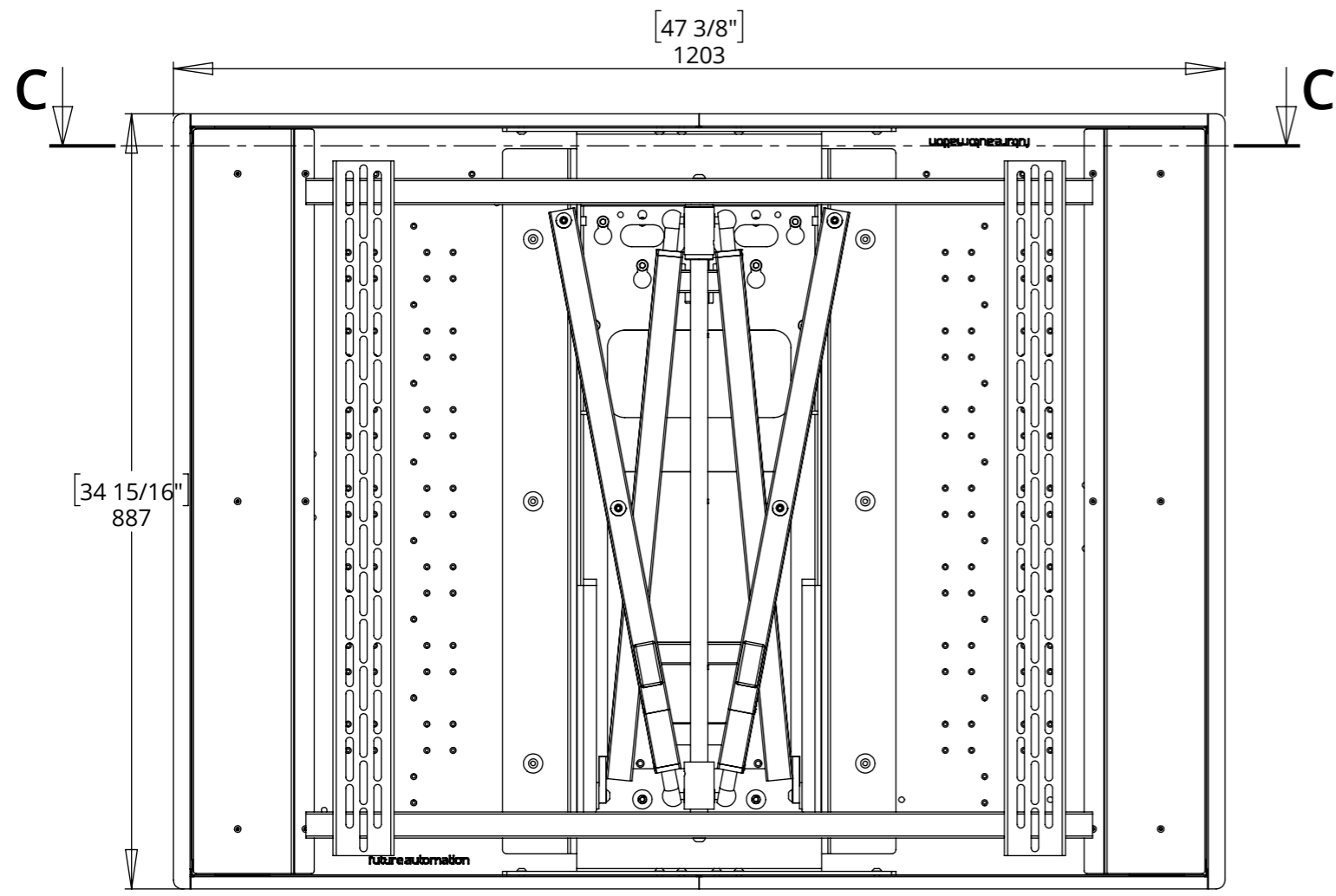
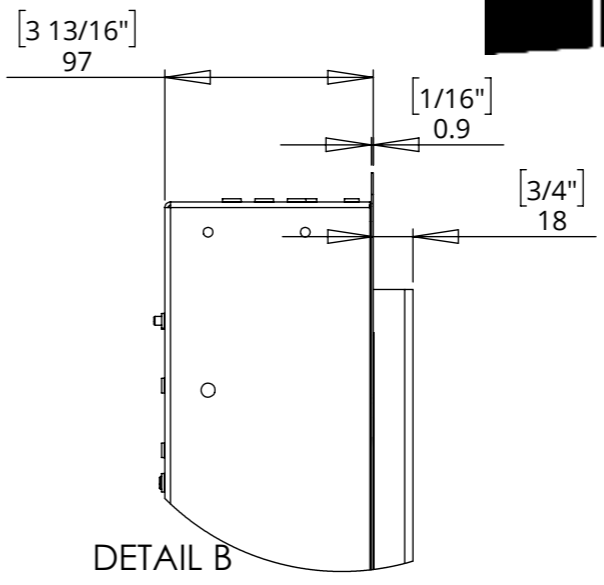
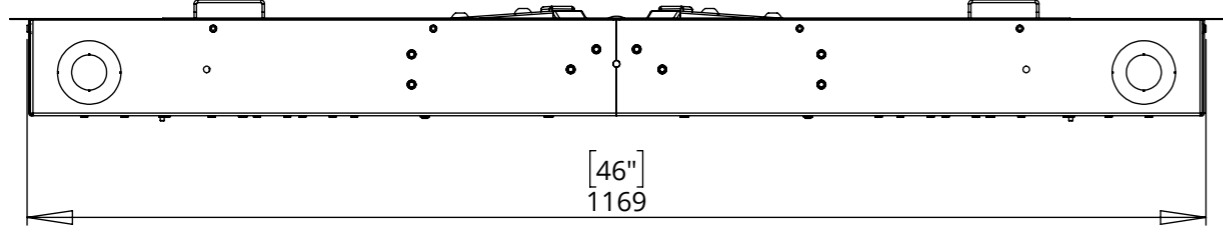
WB80

WALL BOX FOR PS80

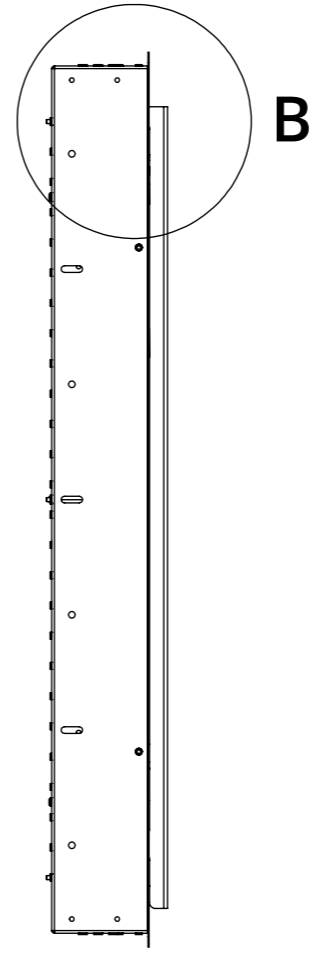


future automation

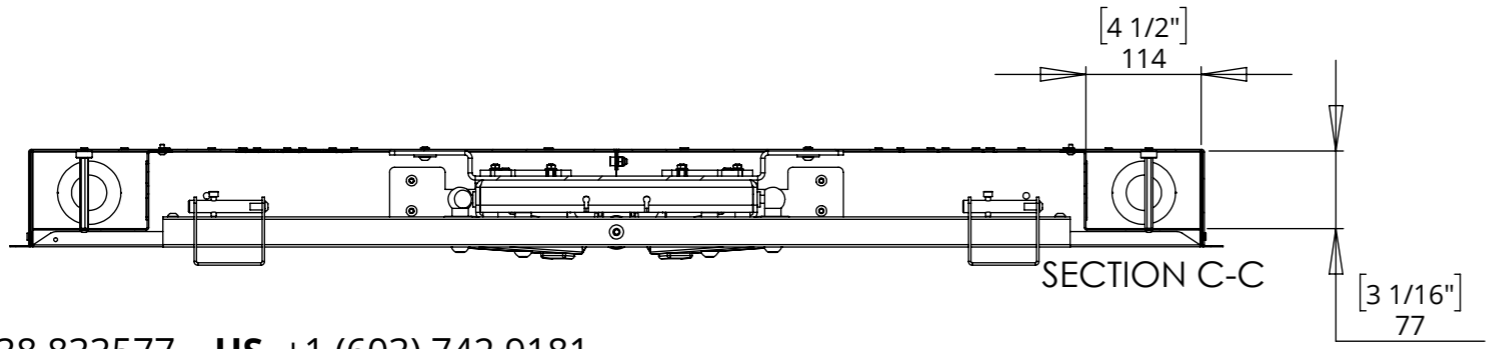
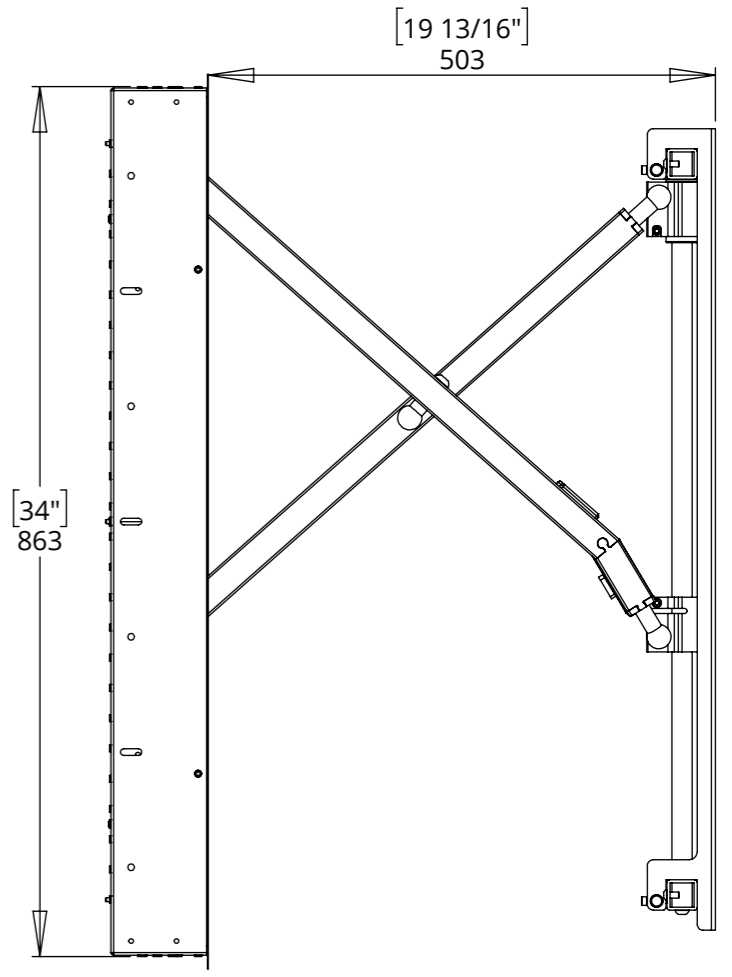
GENERAL DIMENSIONS



IN POSITION



MAX EXTENSION



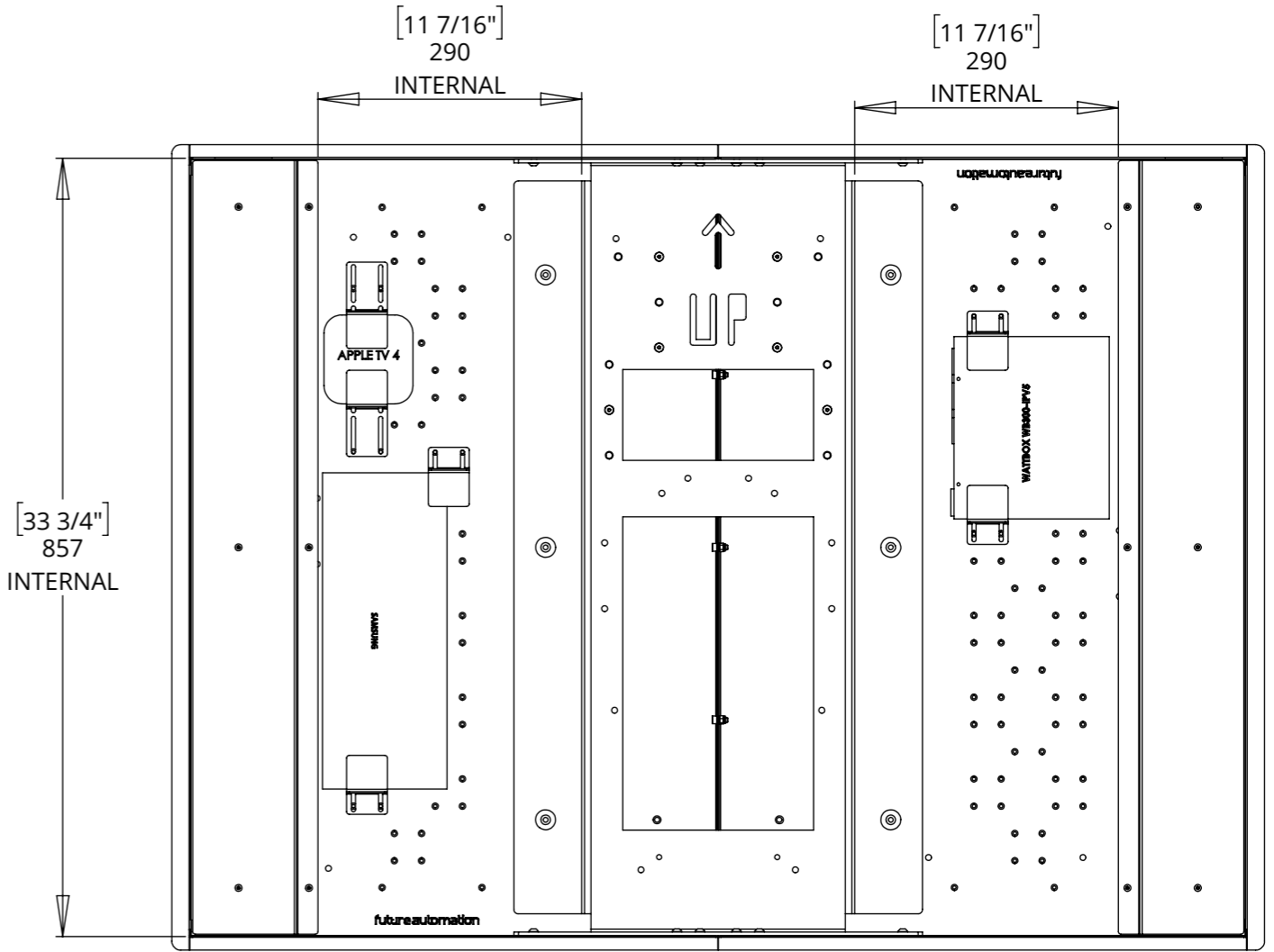
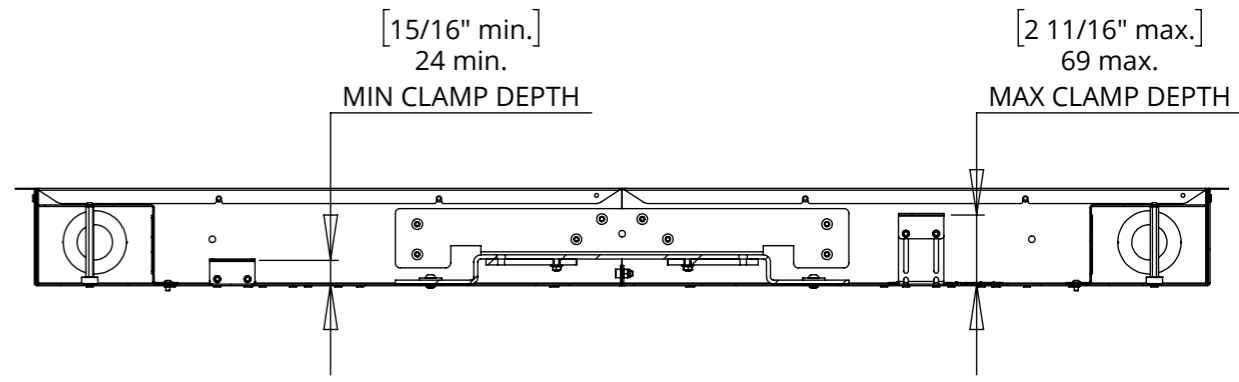
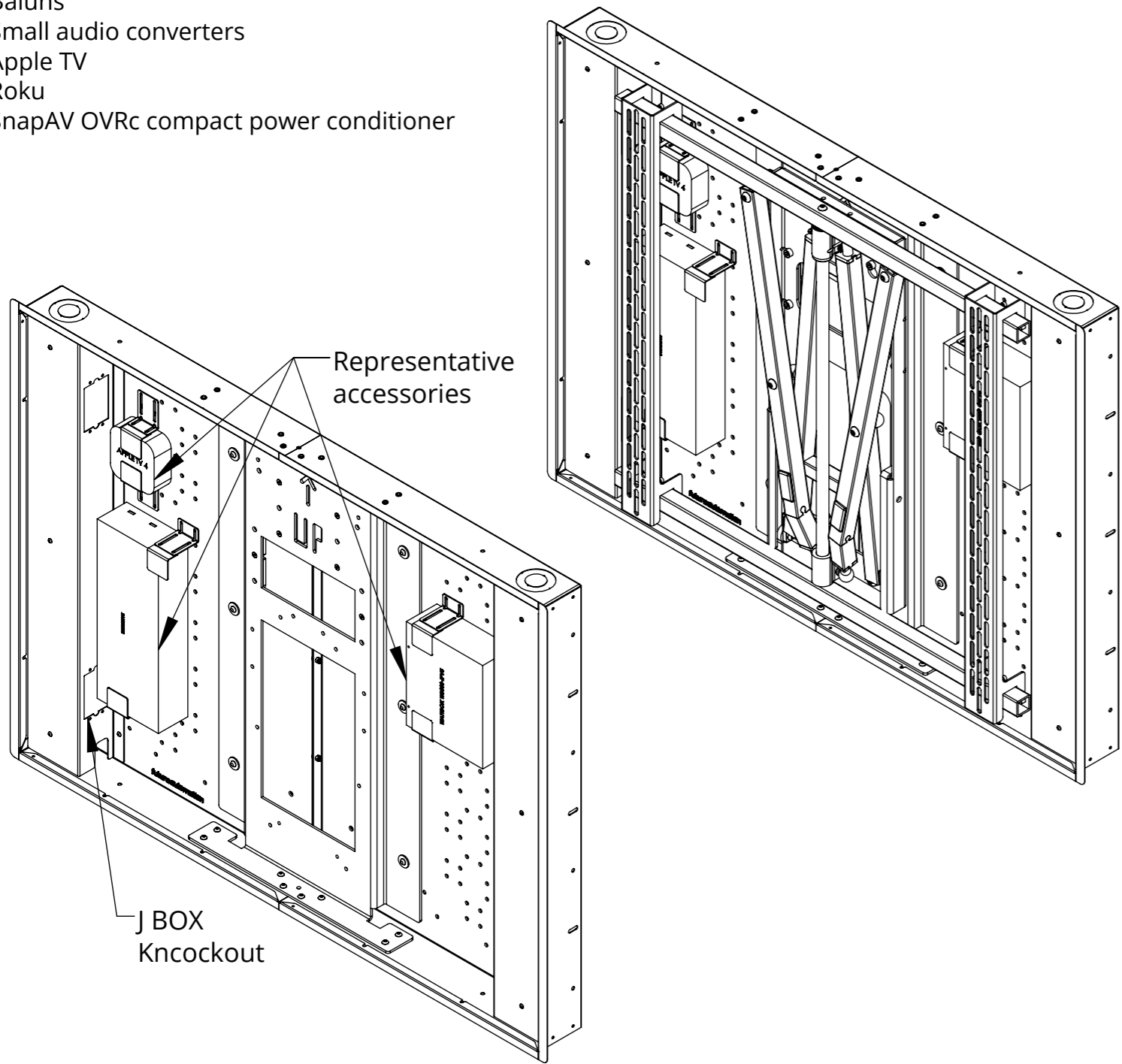
WB80

WALL BOX FOR PS80

ACCESSORY MOUNTING

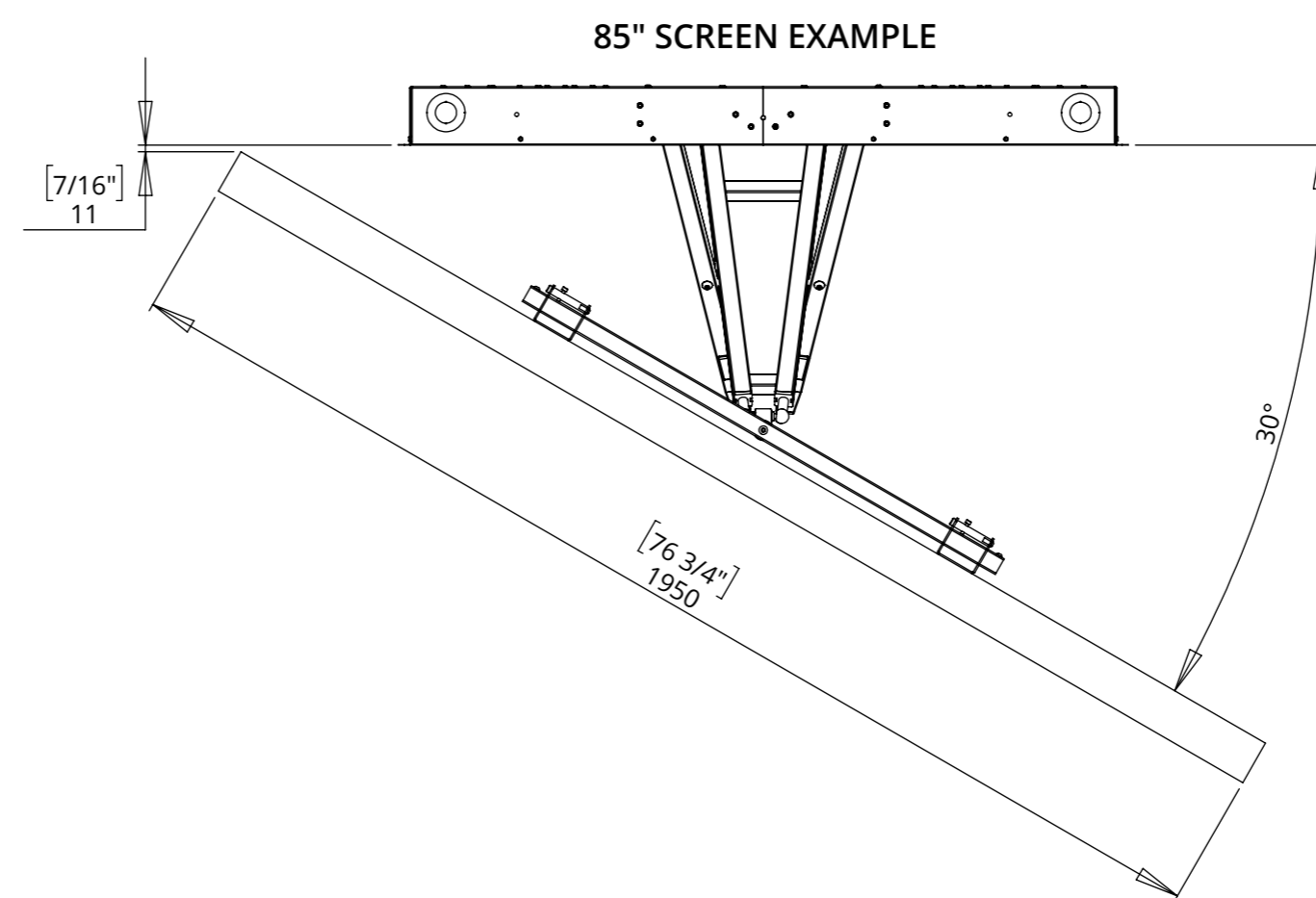
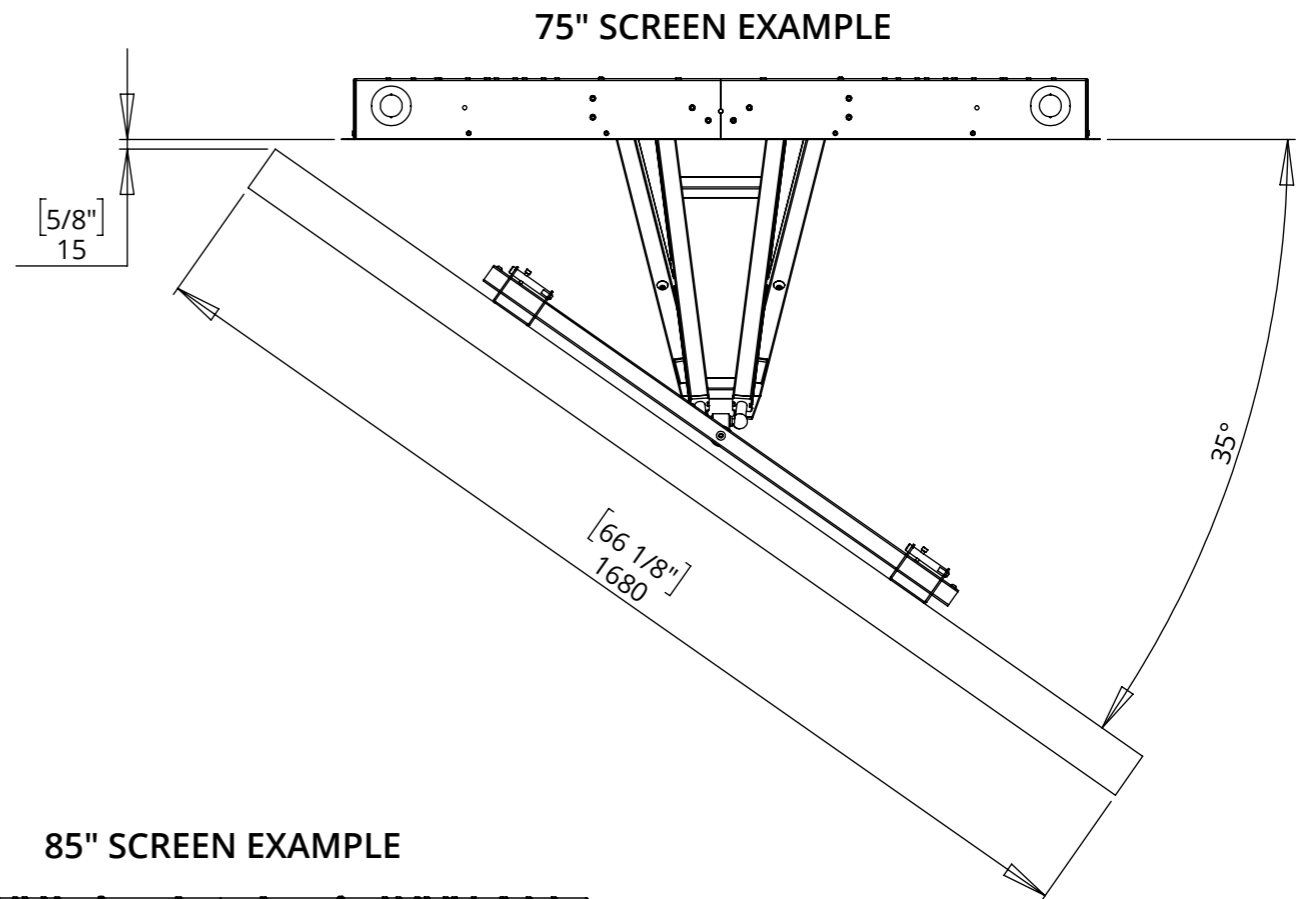
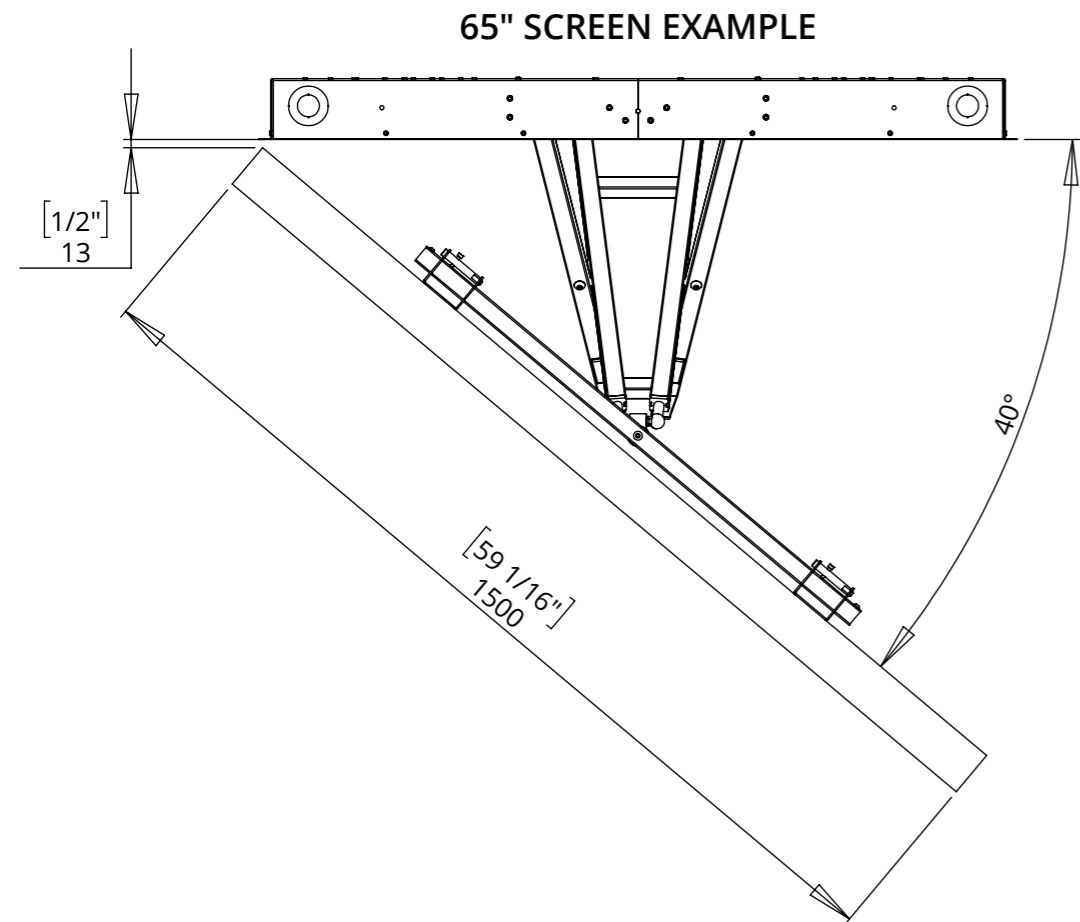
The WB80 features adjustable accessory clamps and large mounting spaces that means it is perfectly suited to a wide variety of AV accessories.

- These include:
- Samsung One Connect
 - Power conditioners
 - Baluns
 - Small audio converters
 - Apple TV
 - Roku
 - SnapAV OVRc compact power conditioner



WB80 WALL BOX FOR PS80

GENERAL DIMENSIONS

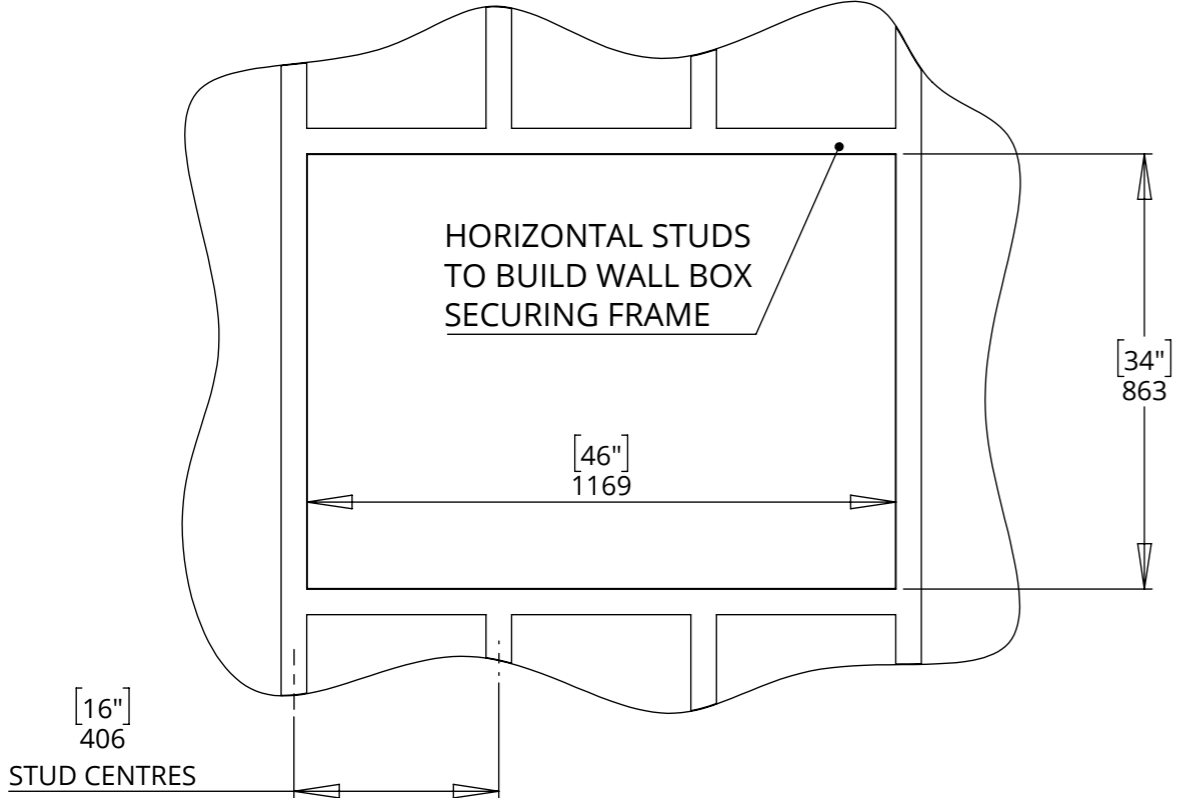


WB80

WALL BOX FOR PS80

WALL FRAMING DIMENSIONS

Horizontal studs should be used, with the Wall Box fixed through the three top and three bottom fixing holes.



INSERT THE WALL BOX INTO THE VOID AS SHOWN THEN SECURE THROUGH THE SIDE FIXING HOLES AND SLOTS

